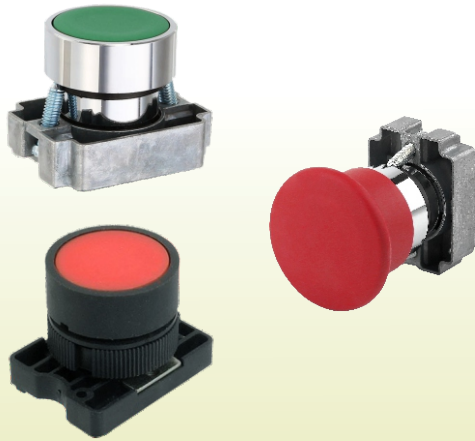


Ø 22.5mm

PUSH BUTTON



Features

- Ø22.5mm dia cutout
- Comfortable Finger Press Position and Switch Toggle Operation Function
- All Colors Red, Green, Yellow, Blue, White And Black Available
- CE Marked on all models
- 1 Year Warranty



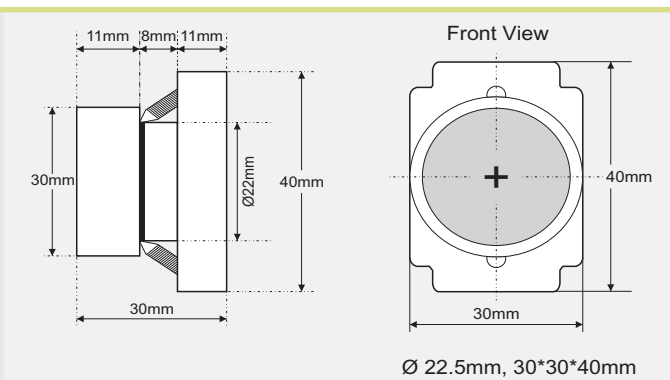
TECHNICAL SPECIFICATION

Ambient Temperature	-25 °C - +55 °C
Vibration Resistance	<500Hz, Amplitude about 1.0mm
Impact Resistance	≥ 10g
Operating Frequency	50-60Hz
Contact Action	NO / NC (NC contact is directly disconnected)
Mechanical life	Button: More than 1 million time Head: 100000 time
Electrical life	AC more than 100000 time

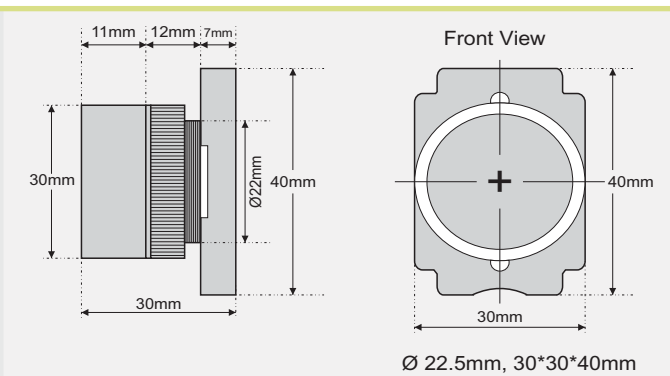
PROTECTION

Standard Compliance	GB 14048.5-2008, IEC 60947-5-1
Degree of Protection	IP65

METAL PUSH BUTTON DIMENSIONS



PLASTIC PUSH BUTTON DIMENSIONS



ORDER CODE

MODEL	COLOUR	MPQ
METAL PUSH BUTTON		
AM22-R	● RED	20
AM22-G	● GREEN	
AM22-Y	● YELLOW	
AM22-B	● BLUE	
AM22-W	○ WHITE	
AM22-BK	● BLACK	
PLASTIC PUSH BUTTON		
AP22-R	● RED	20
AP22-G	● GREEN	
AP22-Y	● YELLOW	
AP22-B	● BLUE	
AP22-W	○ WHITE	
AP22-BK	● BLACK	
MUSHROOM PUSH BUTTON(40mm)		
AM22-M40-R	● RED	20
AM22-M40-G	● GREEN	
AM22-M40-Y	● YELLOW	
AM22-M40-B	● BLUE	
AM22-M40-W	○ WHITE	
AM22-M40-BK	● BLACK	

MUSHROOM PUSH BUTTON DIMENSIONS

